

## POLICE LIGHT II

Halogen and Strobe Operation



The POLICE LIGHT II is a fully self-contained unit featuring a 3" x 7" rectangular lamp. The POLICE LIGHT II is available in single strobe, double strobe, strobe with flashing halogen, or strobe with steady burn halogen. The PL37SS produces 60 NEOBE® bursts per minute. Each NEOBE® burst consists of six equal power flashes per multi-flash.

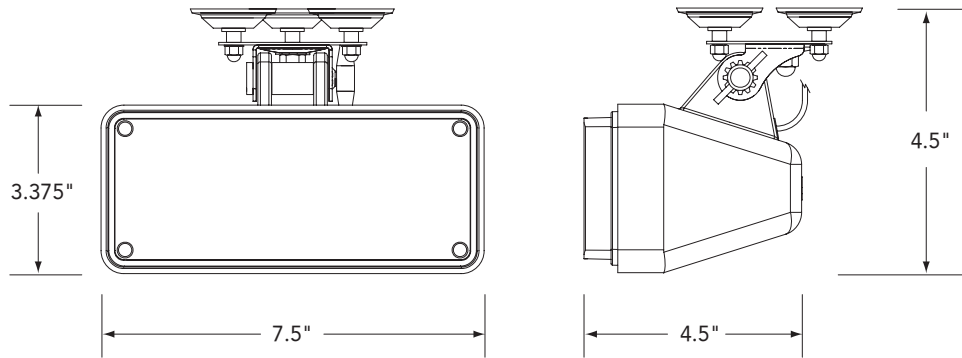
The PL37S and PL37SS lights come standard with an on/off switch as well as a 15' power cord and a cigar plug with an LED power indicator.

The PL37HS, PL37SBHS, PL37H and PL37SBH lights come standard with an on/off switch as well as a 10' power cord and a cigar plug.

### PL-37SS ( installed view )

The POLICE LIGHT II is ideal for undercover vehicles and mounts easily to the windshield under the rear view mirror. The super strong tri-suction cup mount holds the light securely in place.

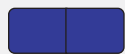




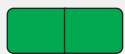
**Available Lens Colors:**



Amber



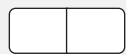
Blue



Green



Red



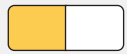
Clear



Red/Blue



Green/Red



Amber/Clear



Blue/Clear



Green/Clear



Red/Clear



Amber/Blue



Amber/Red



Green/Amber

**Specifications**

Item	Description
Voltage	12 to 28VDC ( strobe ) 12 or 28VDC ( halogen ) Note: units shipped with 12V halogen lamps unless otherwise specified.
Halogen Lamp	890 (27 watt, 12VDC) or 890-24 (27 watt, 24VDC)

**Ordering Information**

Please specify lens colors when ordering. Available colors are Amber, Blue, Clear, Green, Red or any split color combination.

Model No.	Description
PL37S	Single Strobe
PL37SS	Dual Strobe
PL37HS	Flashing halogen and strobe
PL37SBHS	Steady burn halogen and strobe
PL37SBH	Steady burn halogen
PL37H	Halogen, alternating

**Available Options**

Model No.	Description
PL37-SC	Suction cup mount ( heavy duty )
PL37-SC3	Suction cup mount ( standard )
PL37-SHIELD	Shields operator from flashing lamp
CP-01	Cigar plug receptacle