

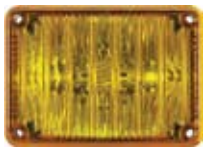
RECT-34 Series

3" x 4" Rectangular Lamps

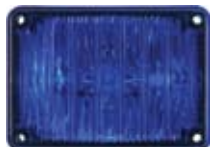


- 100% watertight
- extremely durable chrome reflector
- fits all popular emergency vehicles
- available in six lens colors

The RECT-34 series extended lens lightheads are molded from Lexan® and have been designed to fit all popular emergency vehicles. The RECT-34H uses a 27 watt halogen lamp. The RECT-34S uses a strobe flashtube that can be used with any TOMAR strobe power supply. The RECT-34 series features an extended lens design with SIDEOPTICS™ for tri-directional warning light effectivity. The RECT-34 is furnished with a drill template, gasket, and mounting hardware.



Amber



Blue



Clear



Green

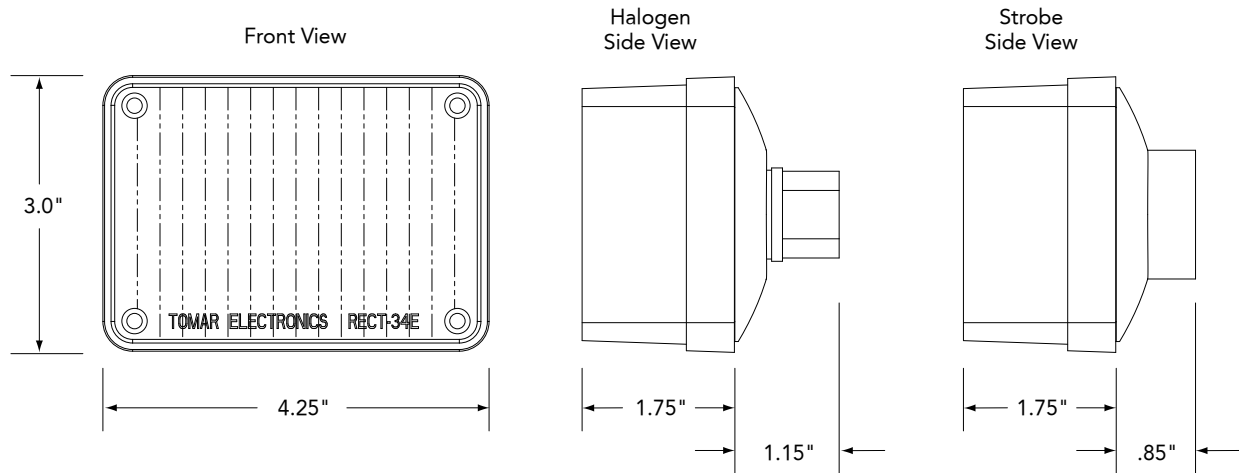


Red

Ordering Information

Please specify lens colors and model number when ordering. Available colors are Amber, Blue, Clear, Green, Purple and Red.

Model No.	Description
RECT-34S	Strobe, 3" x 4" rectangular lamp
RECT-34H	Halogen, 3" x 4" rectangular lamp



Replacement Parts

Model No.	Description
930DM-FLASHER	Flashes one to four 890's, 12VDC, solid state
890	27 watt, 12VDC halogen lamp
890-24	27 watt, 24VDC halogen lamp
890HP	37 watt, 12VDC halogen lamp
890-CONN	Watertight connector for lamp

See page C32-C33 for a complete list of available mounting accessories.

Sharp Communication, Inc.
 3403 Governors Drive
 Huntsville, AL 35805
 800.548.2484
 256.533.2484
 www.SharpCom.com